

NEW PLEX PDM-13[®]

SOLID-STATE POWER. TOTAL CONTROL.



Description

PLEX PDM-13 is a 13-channel power distribution module with a 100A total continuous current capacity (at 12V), built to deliver precise, electronically controlled power to actuators, lighting circuits, solenoids, and electronic control units. Replacing relays, fuses, and circuit breakers with solid-state control, it simplifies wiring architecture while improving system robustness and fault tolerance. Pre-programmed built-in modules for common vehicle functions — wipers, flashers, and more — reduce setup time without sacrificing control. Engineered to minimise harness complexity and weight, the PDM-13 scales from compact single-unit installations such as motorcycles, where one device manages the entire electrical system, to distributed multi-unit setups where harness weight and complexity are critical.

Applications

- Automotive
- Motorcycle
- Snowmobiles
- Marine
- Off-road vehicles

Key Features

- ▶ Fully configurable CAN Bus & IOs
- ▶ Pre-configured functional modules (wipers, flashers, etc)
- ▶ PWM capability on 3 outputs (up to 200Hz)
- ▶ Configurable inrush current & timing per output
- ▶ Soft-start functionality on PWM outputs
- ▶ Configurable electronic fuse strategies
- ▶ Multiple reset strategies for fault recovery
- ▶ Adjustable current warning thresholds
- ▶ Advanced protection limits per output

Price (ex. VAT)

€ 850

Technical Specifications

Inputs	
Analog/Digital/Frequency 0-5V (with selectable 3K3 pull-up)	2x
Analog/Digital/Frequency 0-16V	1x
Analog/Digital 0-16V	1x
Outputs	
7A High-Side	4x (14A inrush per output)
15A High-Side	6x <ul style="list-style-type: none"> • Output grouping supported • 60A max combined cont. current • 30A inrush per output • 120A max combined inrush
15A High-Side with PWM	2x <ul style="list-style-type: none"> • Configurable frequencies: 200/100/50/40/25/20/10 Hz • Soft-start capability • 30A inrush per output
45A high-Side with PMW	1x <ul style="list-style-type: none"> • Configurable frequencies: 200/100/50/40/25/20/10 Hz • Soft-start capability • 90A inrush
Communications	
Can Bus Ports	1x 250kbit - 5 Mbit (with CAN FD support) for configuration & FW updates
Internal Sensors	
Temperature monitoring points	multiple
Voltage monitoring	+12V & +5V

Technical Specifications - Continued

Data & Processing	
Data Channels	up to 128
Flag Channels	up to 128
Math Channels	4
2D Math Channels	2
User Flags	32
User Bitfields	12
User Counters	4
Electrical Data	
Supply Voltage Range	8-18V DC
Power Input	M6 +12V supply volt
Operating Conditions	
Temperature Range	-40 to +85 degC
Maximum Internal Temp	125 degC
Physical	
Connectors	AMP SuperSeal 26-pin
Mounting	3x M4 holes
Dimensions mm	width: 54, length: 80, height 34
Weight	215g
Material	CNC machined aluminum
Sealing / Ingress Protection	IP67

Mounting Guidelines

- Mount using the 3 x M4 holes
- Install away from direct heat sources
- Ensure adequate ventilation
- Mount on metal surface or heat sink for optimal heat dissipation (Required for continuous loads above 60A)

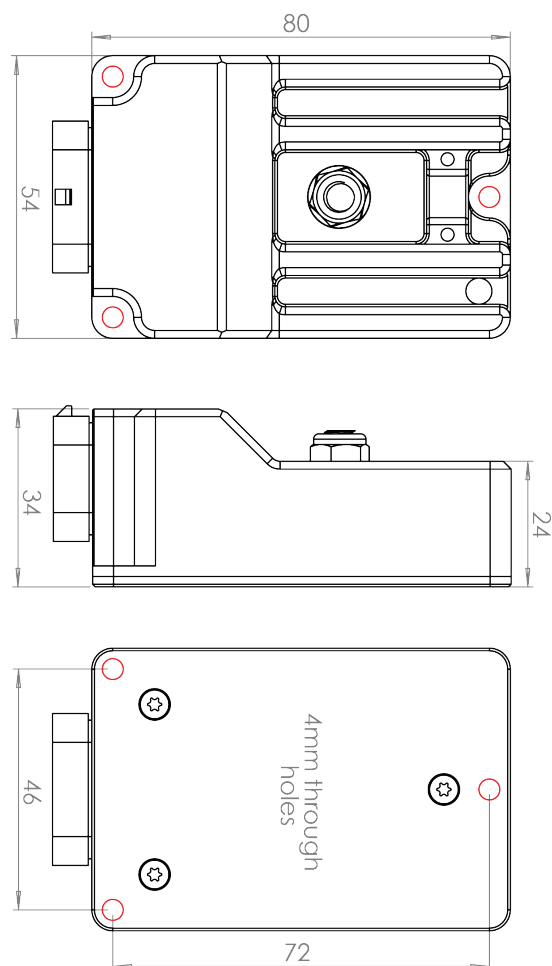
PC Software

PLEX Device Manager V2 configuration free

What's Included in the Box

- PDM-13 module | x1
- 26-pin Connector (TE 3-1437290-7) | x1
- Wire Pins 16-18AWG (TE 3-1447221-3) | x18
- Signal Pins 22AWG (TE 3-1447221-5) | x 12
- Dummy Plugs (TE 4-1437284-5) | x 12
- 3D printed +12V Protection Cap | x 1
- M3 Mounting Bolts for Cap | x 2
- M6 Hex Nut x 1
- M6 Ring Terminal (6-16 mm²) | x 1
- M6 Ring Terminal (6-25 mm²) | x 1

Technical Drawing



ATTENTION - DISCLAIMER

©PLEX TUNING O.E. 2026 | The information contained in these documents is confidential, privileged and only for the information of the intended recipient and may not be used, published or redistributed without the prior written consent of Plex Tuning OE. Additionally, all information in these documents is subject to changes without prior notice.

CONNECTOR PINOUT

#	LABEL	DESCRIPTION	NOTES
1	HSD1	High Side Power Output 15A	
2	HSD2	High Side Power Output 15A	
3	IGN SW	Switched 12V device power supply	
4	GND	Ground supply the device	connect to chassis/engine ground
5	SGND	Ground supply output for sensors	protected from overcurrent
6	HSD3	High Side Power Output 15A	
7	HSD4	High Side Power Output 15A	
8	HSD5	High Side Power Output 15A - PWM	
9	CAN1HI	CAN Port High signal	250kbit – 1.333Mbit speed, selectable 120R termination
10	AN/DI//FR1	Analog / Digital / Frequency input 0-5V	selectable pull-up 3K3 to +5V
11	GND	Ground supply the device	connect to chassis/engine ground
12	AN/DI//FR2	Analog / Digital / Frequency input 0-5V	selectable pull-up 3K3 to +5V
13	HSD6	High Side Power Output 15A	
14	HSD7	High Side Power Output 15A - PWM	
15	CAN1LO	CAN Port Low signal	250kbit – 1.333Mbit speed, selectable 120R termination
16	AN/DI//FR3	Analog / Digital / Frequency input 0-16V	
17	AN/DI//FR4	Analog / Digital / Frequency input 0-16V	
18	+5V SENS	+5V supply output for sensors	protected, max 100mA
19	HSD8	High Side Power Output 15A	
20	HSD9	High Side Power Output 7A	
21	HSD10	High Side Power Output 7A	
22	HSD11	High Side Power Output 7A	
23	HSD12	High Side Power Output 7A	
24-25-26	HSD13	High Side Power Output 45A - PWM	



connector wire side view (rear)

CONNECTOR PART NUMBERS

WIRE PINS POWER	TE 3-1437290-7 (keying 1)
WIRE PINS SIGNAL	TE 3-1447221-3 16-18AWG
DUMMY PLUGS	TE 3-1447221-5 22AWG

ATTENTION - DISCLAIMER

©PLEX TUNING O.E. 2026 | The information contained in these documents is confidential, privileged and only for the information of the intended recipient and may not be used, published or redistributed without the prior written consent of Plex Tuning OE. Additionally, all information in these documents is subject to changes without prior notice.

