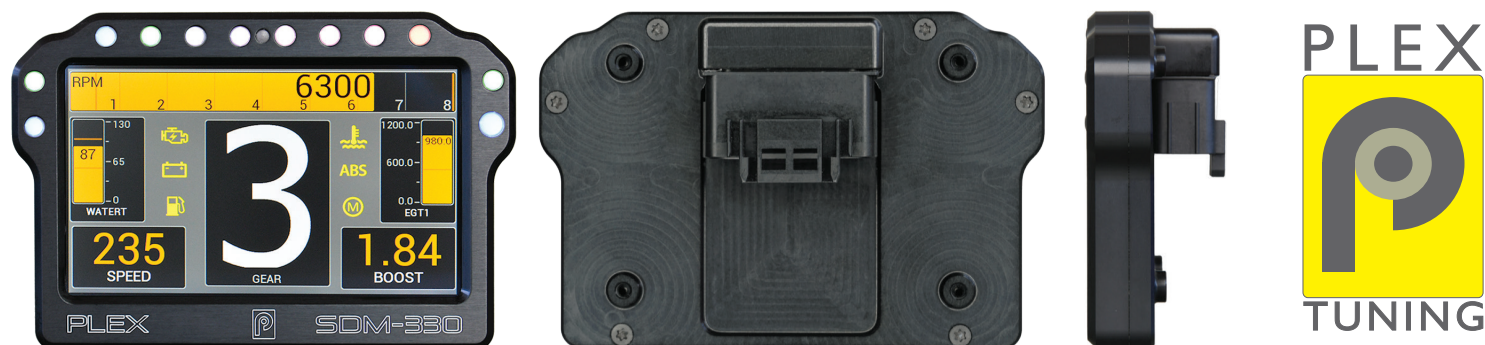


NEW PLEX SDM-330[®]

4.3" Pro-level Display & Logger for Dashboards or Steering Wheels



Description

The New PLEX SDM-330[®] is an ultra-compact, 4.3" high-performance display & logger designed for all types of vehicles, suitable both for dashboard or steering wheel installation. Housed in a light-weight CNC aluminum enclosure with IP67 protection, the SDM-330 features a 1k cd bright IPS TFT display and comes with our renowned proprietary clean UI that places emphasis on effectiveness vs impression. The new dash display will be available in a basic display only version with optional upgrades for USB logging and GPS/IMU. This way, it will succeed both the now discontinued SDM-300 & SDM-500, whilst offering improved functionality, weather protected enclosure and fully redesigned electronics that make it's performance equivalent to that of our highest-end models.

Applications

- Automotive
- Motorcycle
- Steering wheels
- Marine
- Off-road
- Snowmobiles

Key Features

- ▶ 4.3" High-brightness & contrast IPS Display with broadband anti-reflective glass
- ▶ Ultra compact & rugged enclosure with IP67 protection
- ▶ Powerful multi-core processor
- ▶ Fully configurable CAN BUS, I/Os and UI
- ▶ Design suitable for dashboard and steering wheel installation
- ▶ Unlimited USB data-logging (option)
- ▶ 25Hz GNSS / 100Hz IMU module (option)

Price (preliminary)

949EUR - 1.349EUR

Technical Specifications

Inputs	
Analog/Digital/Frequency 0-5V	4
Analog/Digital/Frequency 0-16V	4
Switch/Button Inputs	8
Outputs	
AUX High Side	2 (lim 3A)
LEDs	12 RGB
Communications	
Can Bus Ports	2
RS-232 Ports	1 (shared with CAN2)
Lin Bus Ports	1
USB	1 (for config. & logging)
WiFi	for configuration
Internal Sensors	
Real Time Clock	with battery backup
Device/Sensor voltage monitor	+12V supp./+5V sensor supply
Device Temperature monitor	Yes
Ambient light sensor	Yes
Accelerometer	external option
GPS / GNSS	external option
Data Channels	
Max Data Channels	256 (option for more)
Max Flag Channels	256 (option for more)

Technical Specifications - Continued

Data-logging continued	
Memory	USB Flash Drive (option)
Log Rate Max	500Hz
Engine Log	Yes
Alarms Log	Yes
Lap Times log	yes (optional)
Performance Times log	yes (optional)
Calculations	
Lap Times	Yes (with external option)
Acceleration Performance	Yes (with external option)
Engine Power & Torque	Yes (with external option)
Math Channels	16 (option for more)
Trip Meters	4
Screen	
Type	RGB TFT IPS wide temp
Size	480 x 272 pixels
Brightness	1000cd
Refresh rate	50Hz
Display glass	ARC high-efficiency broad-band anti-reflection
User Interface	
# of Pages	32
Custom page design	yes
Colour themes	yes
Electrical Data	
Supply Voltage Range	9-30V DC
Current Consumption	max. 2A at 12V
Operating Conditions	
Temperature Range	-20 to +60 degC
Physical	
Connectors	JAE MX47 Series 39 pins
Dimensions mm	width: 125, height: 83.5, depth 14/32mm
Weight	270g
Material	CNC machined aluminum
Sealing / Ingress Protection	IP67 - dust tight, protected against water immersion

Improvements vs discontinued SDM-300 / SDM-500

- Fully re-designed electronics and hardware
- More powerful processor with multi-core capacity
- Improved TFT display / better viewing angle
- Enhanced design / form factor
- Weather and dust protection (IP67)
- Fully configurable RGB LED lights
- Automotive grade sealed connector with more pins
- Significantly more default inputs and outputs
- Enhanced 25Hz GNSS module (DLG / option)
- 100Hz Inertial Measurement Unit (DLG / option)
- Improved graphics and customisation
- Enhanced electrical protection

Product Versions

SDM-330-D	Display only
SDM-330-DL	Display plus USB logging
SDM-330-DLG	Display with USB logging and ext. 25Hz GNSS module

Upgrade options

L-U LC	FW unlock for USB logging. Applies to "D" version
G-U LC	External 25Hz GNSS kit (HW & FW). Applies to "DL" version.

Control Add-ons

BLMKT-4K	4button weather sealed keypad with configurable CAN BUS
BLKM-PT	6button weather sealed with rotary controller

What's In The Box

- | | |
|-----------------------|----------------------|
| ■ Display | ■ USB cable |
| ■ JAE MX47 connector | ■ USB stick (DL/DLG) |
| ■ Pins /Plugs (32/10) | ■ GNSS Kit (DLG) |

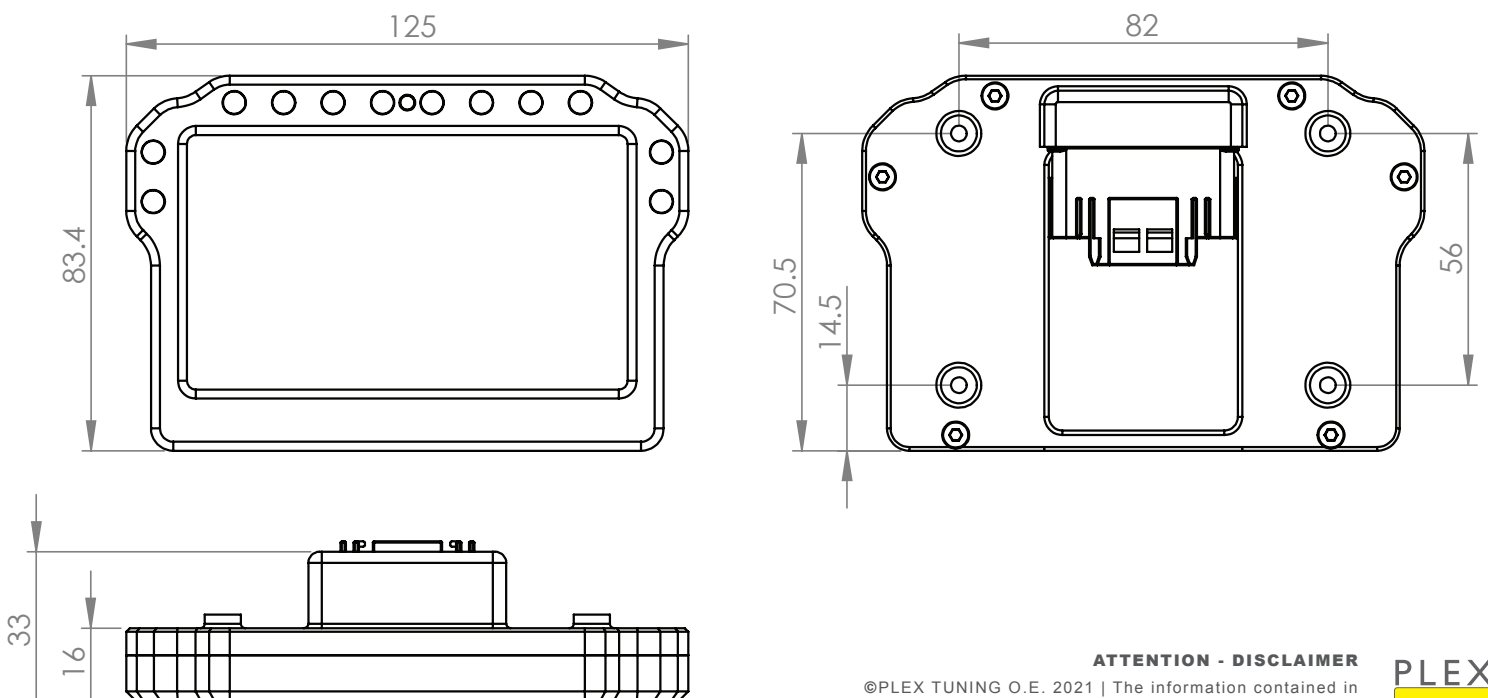
Software

PLEX Device Manager V2	configuration	free
PLEX PDA-WIN	data analysis	free
PLEX PDA-WIN-PRO	data analysis	paid

Indicative List of Compatible After Market ECU Brands & CAN Devices

Fully configurable CAN Receive & Transmit	MAGNETI MARELI
AIM	MAXX ECU
BLINK MARINE	MBE
BOSCH MOTORSPORT	MECTRONIK
CARROT	MEGASQUIRT
COSWORTH	MME
DTA	MOTEC
ECUMASTER	MSEL
EFI	PECTEL
ELETROMOTIVE	PRO EFI
EMERALD	RACEGRADE
EMTRON	RACELOGIC
E-RACE BLACK	SPECIALIST COMPONENTS
GEMS	SIMTEK
GRAYHILL	SYBELE
HALTECH	SYVECS
HONDATA	TEXENSE
HP ELETRONIC	TREMONDI
KMS	TRIJECT
LIFE RACING	XAP
LINK	

Technical Drawings / Dimensions / Mounting (in mm)

**ATTENTION - DISCLAIMER**

©PLEX TUNING O.E. 2021 | The information contained in these documents is confidential, privileged and only for the information of the intended recipient and may not be used, published or redistributed without the prior written consent of Plex Tuning OE. Additionally, all information in these documents is subject to changes without prior notice.



PIN FUNCTIONS - Connector JAE MX47039SF1

#	LABEL	DESCRIPTION	NOTES
1	LIN RECOVERY	Lin bus Master / Recovery	Device boots in recovery mode when pin connected to ground
2	AN1/DI1/FR1	Analog / Digital / Frequency input 0-5V	selectable pull-up 3K3 to +5V, FR trigger threshold 1.2V
3	AN2/DI2/FR2	Analog / Digital / Frequency input 0-5V	selectable pull-up 3K3 to +5V, FR trigger threshold 1.2V
4	AN3/DI3/FR3	Analog / Digital / Frequency input 0-5V	selectable pull-up 3K3 to +5V, FR trigger threshold 1.2V
5	AN4/DI4/FR4	Analog / Digital / Frequency input 0-5V	selectable pull-up 3K3 to +5V, FR trigger threshold 1.2V
6	DI9	Digital input	fixed 47K pull to 5V
7	DI10	Digital input	fixed 47K pull to 5V
8	DI11	Digital input	fixed 47K pull to 5V
9	DI12	Digital input	fixed 47K pull to 5V
10	USB DN	USB data negative signal	for PC communications and USB Flash logging
11	DI13	Digital input	fixed 47K pull to 5V
12	DI14	Digital input	fixed 47K pull to 5V
15	AN5/DI5/FR5	Analog / Digital / Frequency input 0-16V	FR trigger threshold adj, fixed 16K pull down, selectable 330R pull-down
16	AN6/DI6/FR6	Analog / Digital / Frequency input 0-16V	FR trigger threshold adj, fixed 16K pull down, selectable 330R pull-down
17	AN7/DI7/FR7	Analog / Digital / Frequency input 0-16V	FR trigger threshold adj, fixed 16K pull down, selectable 330R pull-down
18	AN8/DI8/FR8	Analog / Digital / Frequency input 0-16V	FR trigger threshold adj, fixed 16K pull down, selectable 330R pull-down
19	CAN1HI	CAN Port 1 High signal	250kbit – 1.333Mbit speed, selectable 120R termination
20	CAN2HI RS232RX	CAN Port 2 High signal / RS232 Port Rx input	250kbit – 1.333Mbit speed, selectable 120R termination
23	USB DP	USB data positive signal	for PC communications and USB Flash logging
24	DI15	Digital input	fixed 47K pull to 5V
25	DI16	Digital input	fixed 47K pull to 5V
27	+8-24V	Power supply for the device	Connect to a switched +8-24V power source, 3A max
28	GND	Ground supply the device	Connect to chassis/engine ground
29	SGND	Ground supply output for sensors	Protected from overcurrent
30	+5V SENS	+5V supply output for sensors	protected, max 250mA
32	CAN1LO	CAN Port 1 Low signal	250kbit – 1.333Mbit speed, selectable 120R termination
33	CAN2LO RS232TX	CAN Port 2 Low signal / RS232 Port Tx output	250kbit – 1.333Mbit speed, selectable 120R termination
36	USB +5V	USB +5V	protected, max 250mA
37	USB GND	USB ground	
38	AUX1 HS	Auxiliary output – High Side	ON/OFF or PWM, sources current from pin 27, 1A max current
39	AUX2 HS	Auxiliary output – High Side	ON/OFF or PWM, sources current from pin 27, 1A max current
13 14 21 22 26 31 34 35	NC	UNUSED - DO NOT CONNECT	

CONNECTOR WIRE SIDE VIEW (REAR)

13	NC	DI14	DI13	USB DN	DI12	DI11	DI10	AN4/DI4/FR4	AN3/DI3/FR3	AN2/DI2/FR2	AN1/DI1/FR1	LIN RECOVERY	1	
26	NC	DI16	DI15	USB DP	NC	NC	CAN2HI RS232RX	CAN1HI	AN8/DI8/FR8	AN7/DI7/FR7	AN6/DI6/FR6	AN5/DI5/FR5	NC	14
39	AUX2 HS	AUX1 HS	USB GND	USB +5V	NC	NC	CAN2LO RS232TX	CAN1LO	NC	+5V SENS	SGND	GND	+8-24V	27

CONNECTOR PART NUMBERS

LOOM CONNECTOR	JAE MX47039SF1
WIRE PINS	JAE M47S65H2FA
DUMMY PLUGS	JAE M120-55780

ATTENTION - DISCLAIMER

©PLEX TUNING O.E. 2021 | The information contained in these documents is confidential, privileged and only for the information of the intended recipient and may not be used, published or redistributed without the prior written consent of Plex Tuning OE. Additionally, all information in these documents is subject to changes without prior notice.

