

# NEW PLEX uSDM-200®

## 2.8' Fully Configurable Pro-level Micro Display



### Description

Introducing the 2nd Generation PLEX uSDM Micro Display, a small but versatile 2.8" CAN display built for any motorsport or automotive application. The new PLEX uSDM-200 succeeds the uSDM-100 & uSDM-102, and brings rich color, full configuration, advanced features and IP64 weather sealing to the mid-range. It is powered by a new faster processor and provides custom graphical UI with advanced user configuration capabilities to match any type of project. Available in 3 versions: (D) Display only, (DL) Display Logger and (DLG) All-in-One Display Logger with GNSS measurements (Lap timing & Performance), it is meant to be used both as main or secondary display for road, race and off-road vehicles.

### Applications

- Automotive
- Motorcycle
- Snowmobiles
- Marine
- Off-road

### Key Features

- ▶ 2.8" High-brightness sunlight readable IPS Display with touch interface
- ▶ Faster and more powerful processor
- ▶ Industrial quality membrane keypad with excellent tactile feedback and glove friendliness
- ▶ Fully configurable UI, CAN BUS and I/Os
- ▶ Built-in concurrent multi-GNSS for lap-timing and performance measurements
- ▶ Built-in datalogging memory
- ▶ Configurable RGB LED Lights

### Price

available on website

### Technical Specifications

<b>Inputs</b>	
Analog/Digital/Frequency 0-16V	2
<b>Outputs</b>	
AUX Low Side LEDs	1 (lim 0.5A) - shared 3x RGB
<b>Communications</b>	
Can Bus Ports	1
RS-232 Ports	tbd
K-Line Ports	tbd
USB	config. & data-transfer
<b>Internal Sensors</b>	
Real Time Clock	with battery backup
Device/Sensor voltage monitor	+12V supp./+5V sensor supply
Device Temperature monitor	Yes
Ambient light sensor	Yes
Accelerometer/IMU	6-axis built-in/100Hz
GNSS	built-in multi concurrent GNSS
<b>Data Channels</b>	
Max Data Channels	up to 128
Max Flag Channels	up to 128

# NEW PLEX uSDM-200<sup>®</sup>

## Technical Specifications - Continued

<b>Data-logging</b>	
Memory	built-in flash
Log Rate Max	100Hz
Engine Log	Yes
Alarms Log	Yes
Lap Times log	yes (DLG version)
Performance Times log	yes (DLG version)
<b>Calculations</b>	
Lap Times	Yes (DLG version)
Acceleration Performance	Yes (DLG version)
Engine Power & Torque	Yes (DLG version)
Math Channels	4 - 16
Trip Meters	2 - 4
<b>Screen</b>	
Type	RGB TFT IPS Sunlight Readable with touch interface
Size	320 x 240 pixels
Brightness	900cd
Refresh rate	50Hz (DLG: variable)
Display glass	Capacitive Touch
<b>User Interface</b>	
# of Pages	up to 24
Custom page design	yes
Colour themes	yes
<b>Electrical Data</b>	
Supply Voltage Range	9-30V DC
Current Consumption	max. 0.3A at 12V
<b>Operating Conditions</b>	
Temperature Range	-20 to +60 degC
<b>Physical</b>	
Connectors	JWPF
Dimensions mm	w: 86.5 / h: 63 / d: 16
Weight	130g
Material	CNC machined aluminum
Sealing / Ingress Protection	IP64

## Improvements vs discontinued uSDM-100/uSDM-102

- Fully re-designed electronics and hardware
- Faster, more powerful processor
- New color TFT display / Sunlight Readable / All angles
- Enhanced design / form factor
- Weather and dust protection (IP64)
- Fully configurable UI (pages, themes, colors, etc)
- Fully configurable LED Lights
- Built-in GNSS & IMU
- Faster built-in datalogging memory
- Improved industrial quality keypad
- Enhanced electrical protection

## Version Comparison

	D	DL	DLG
Custom UI	•	•	•
# of Pages	6	12	24
# of Display Chann.	64	128	128
Datalogging	-	•	•
# of Max Logged Ch.	-	128	128
Multipurpose Inputs	-	2	2
Switch Inputs	-	2 (shared)	2 (shared)
Aux Outputs	-	1 (shared)	1 (shared)
IMU	-	-	6axis /100Hz
Multi-GNSS	-	-	•
Light Sensor	•	•	•
Engine Log	4 ch.	8 ch.	16 ch.
Math Channels	4	8	16
Lap Timing	-	-	•
Performance Meter	-	-	•
Trip Meter	2	2	4

## What's In The Box

- Display
- Cable Harness
- Pins /Plugs
- USB cable
- 3M Velcro Tape
- GPS Antenna (opt.)

## Software

PLEX Device Manager V2	configuration	free
PLEX PDA-WIN	data analysis	free
PLEX PDA-WIN-PRO	data analysis	paid

# NEW PLEX uSDM-200<sup>®</sup>

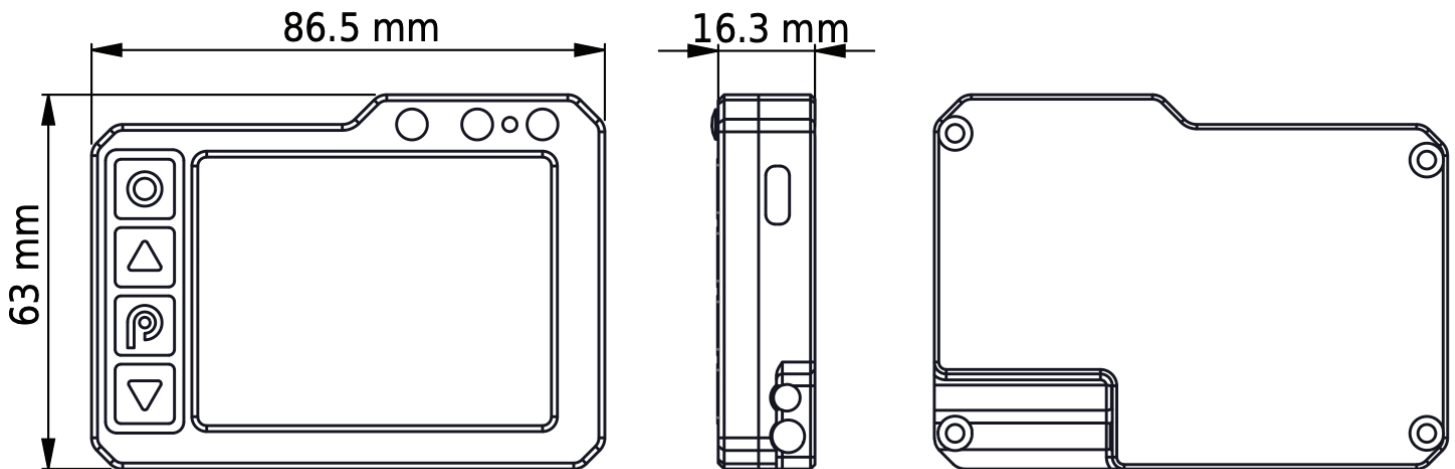
## Indicative List of Compatible After Market ECU Brands & CAN Devices

Fully configurable CAN Receive & Transmit	MAGNETI MARELI
AIM	MAXX ECU
BLINK MARINE	MBE
BOSCH MOTORSPORT	MECTRONIK
CARROT	MEGASQUIRT
COSWORTH	MME
DTA	MOTEC
ECUMASTER	MSEL
EFI	PECTEL
ELETROMOTIVE	PRO EFI
EMERALD	RACEGRADE
EMTRON	RACELOGIC
E-RACE BLACK	SPECIALIST COMPONENTS
GEMS	SIMTEK
GRAYHILL	SYBELE
HALTECH	SYVECS
HONDATA	TEXENSE
HP ELETRONIC	TREMONDI
KMS	TRIJECT
LIFE RACING	XAP
LINK	A variety of OC

## Indicative List of supported OEM ECUs

to be communicated

## Technical Drawings / Dimensions / Mounting (in mm)



### ATTENTION - DISCLAIMER

©PLEX TUNING O.E. 2023| The information contained in these documents is confidential, privileged and only for the information of the intended recipient and may not be used, published or redistributed without the prior written consent of Plex Tuning OE. Additionally, all information in these documents is subject to changes without prior notice.

